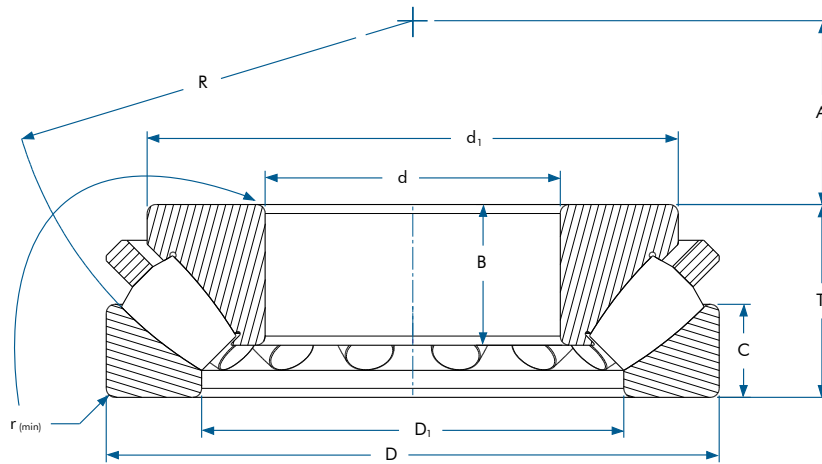


## 29000M Series



Bearing Number	Dimensions (mm)										Basic Load Ratings (kN)		Speed Rating	
	d	D	T	B	C	r	R	D1	d1	A	Dynamic (Ca)	Static (Coa)	Oil	Grease
AXS 29322M	110	190	48	40.0	23.0	2.0	128.3	141.5	175	64	515	1690	3200	1900
AXS 29330M	150	250	60	48.0	29.2	2.1	170.0	191.5	231	87	830	2810	2400	1500
AXS 29334M	170	280	67	52.6	33.0	3.0	189.0	214.5	260	96	999	3530	2200	1300
AXS 29422M	110	230	73	58.6	33.3	3.0	156.0	155.0	208	69	991	2940	2800	1600
AXS 29426M	130	270	85	62.0	41.0	4.0	180.0	186.0	234	81	1400	3850	2400	1300
AXS 29428M	140	280	85	67.0	40.0	4.0	189.0	193.0	254	86	1360	4230	2400	1300
AXS 29430M	150	300	90	71.0	44.0	4.0	201.0	204.0	270	92	1530	5030	2200	1200